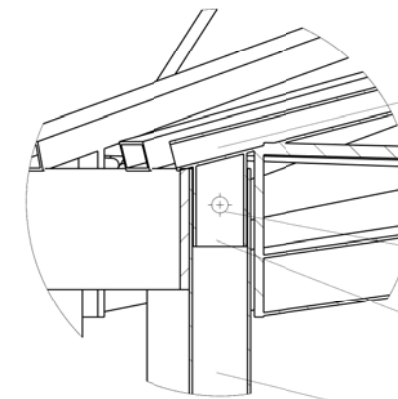
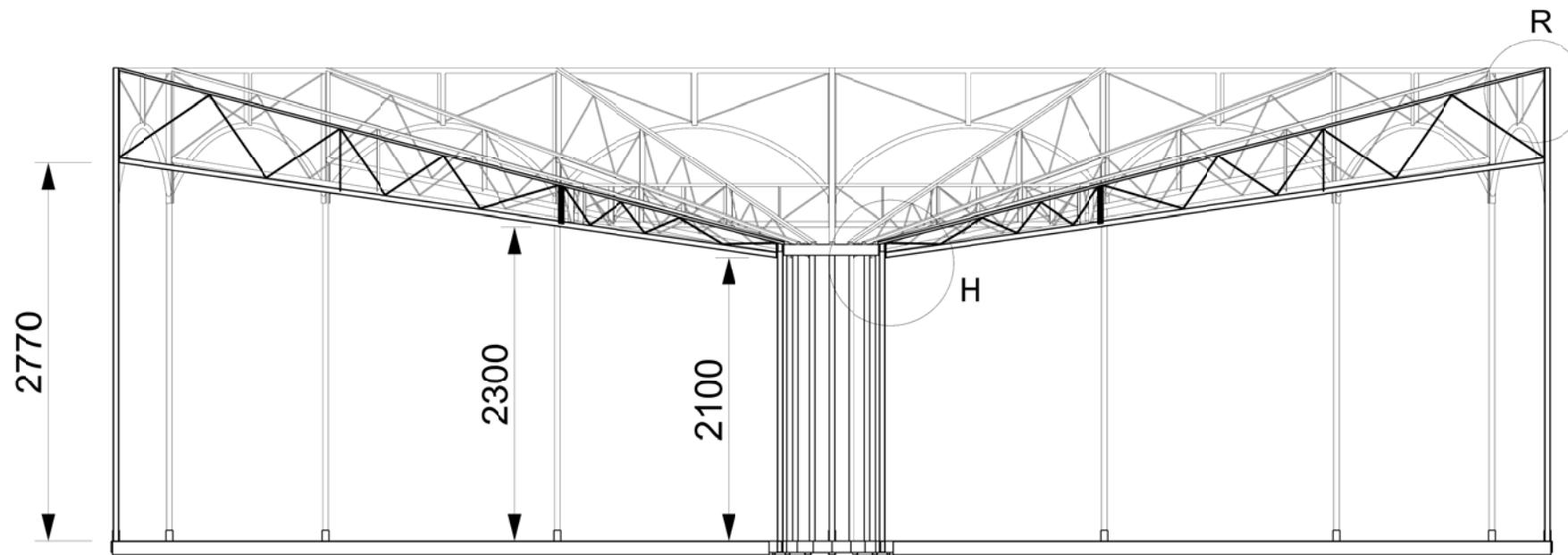
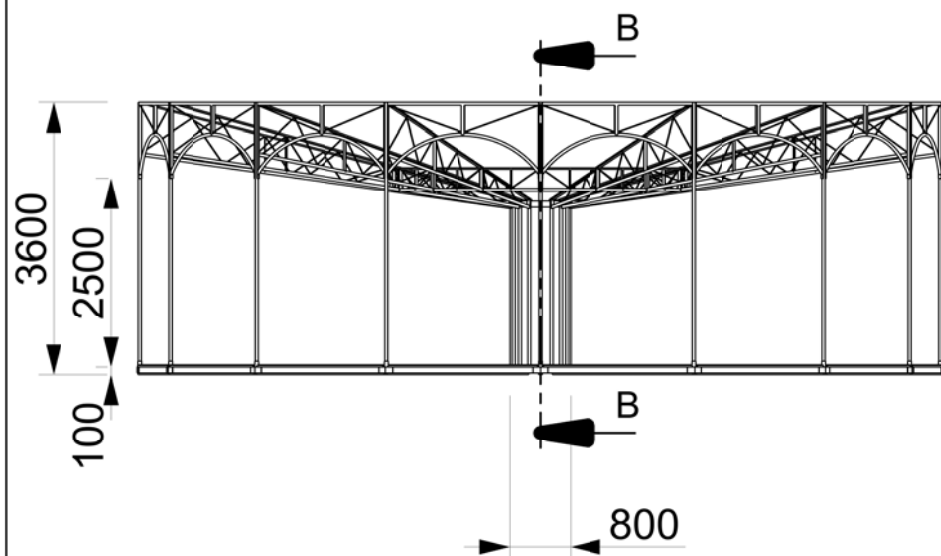


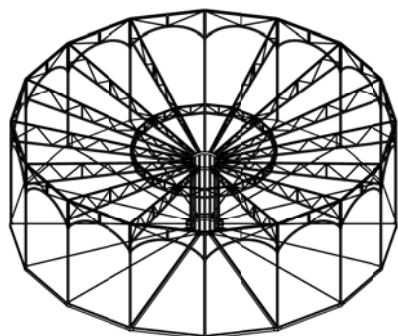
DETAIL R
SCALE 1 : 20



DETAIL H
SCALE 1 : 5



Section B-B
scale 1:50



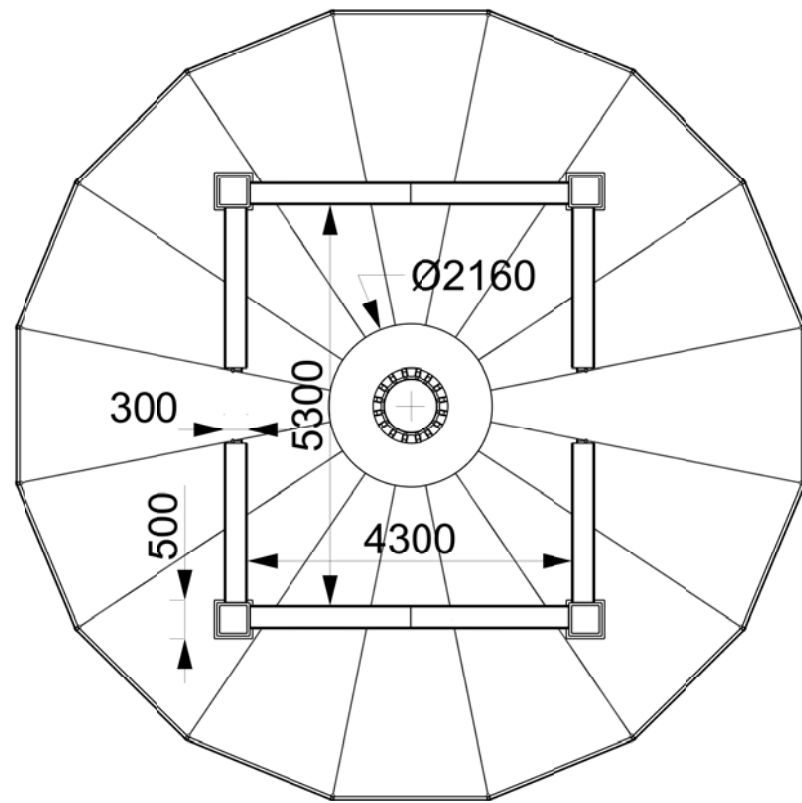
Renaissance

dimensions construction

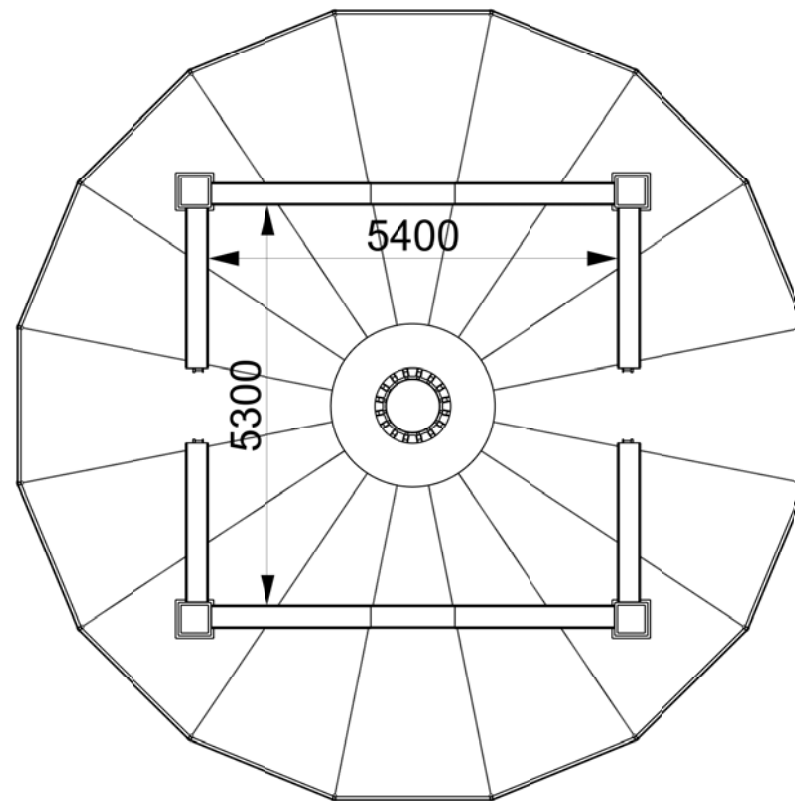
A3

1:100

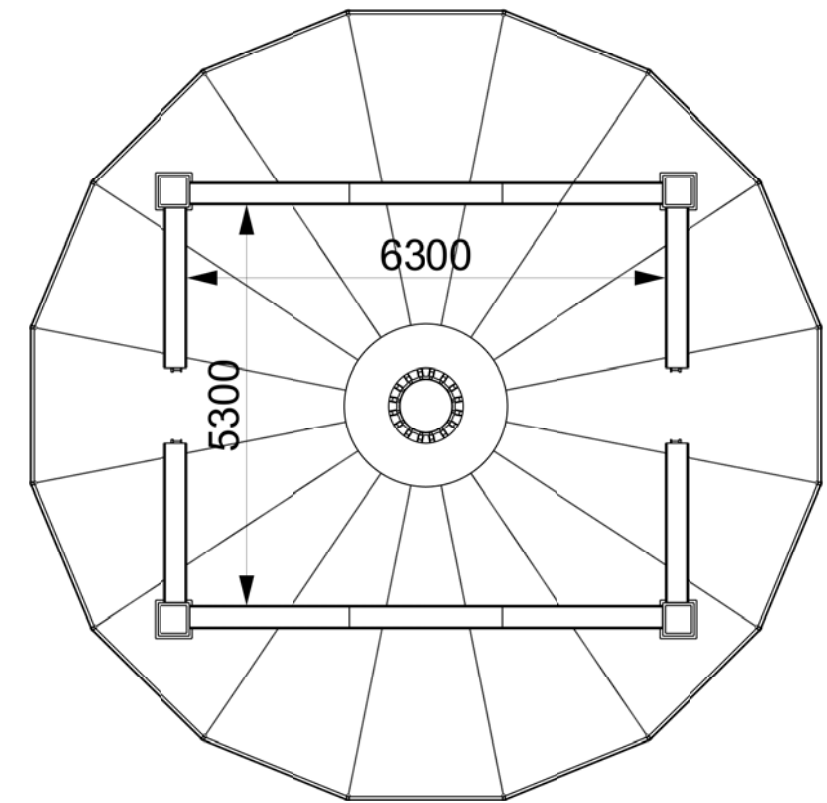
30/10/2019



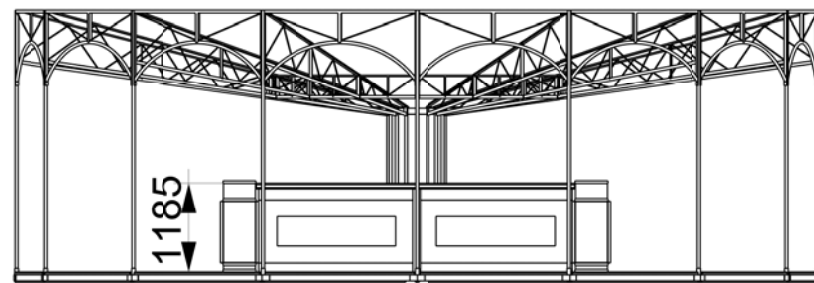
small



regular



large



bar setup small



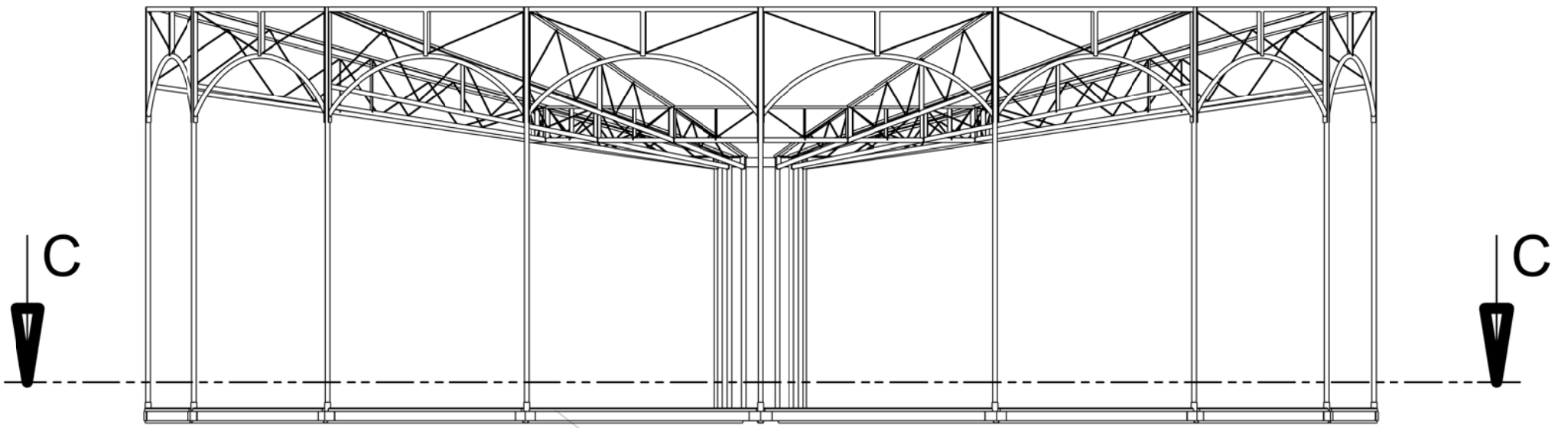
Renaissance

bar setup

A3

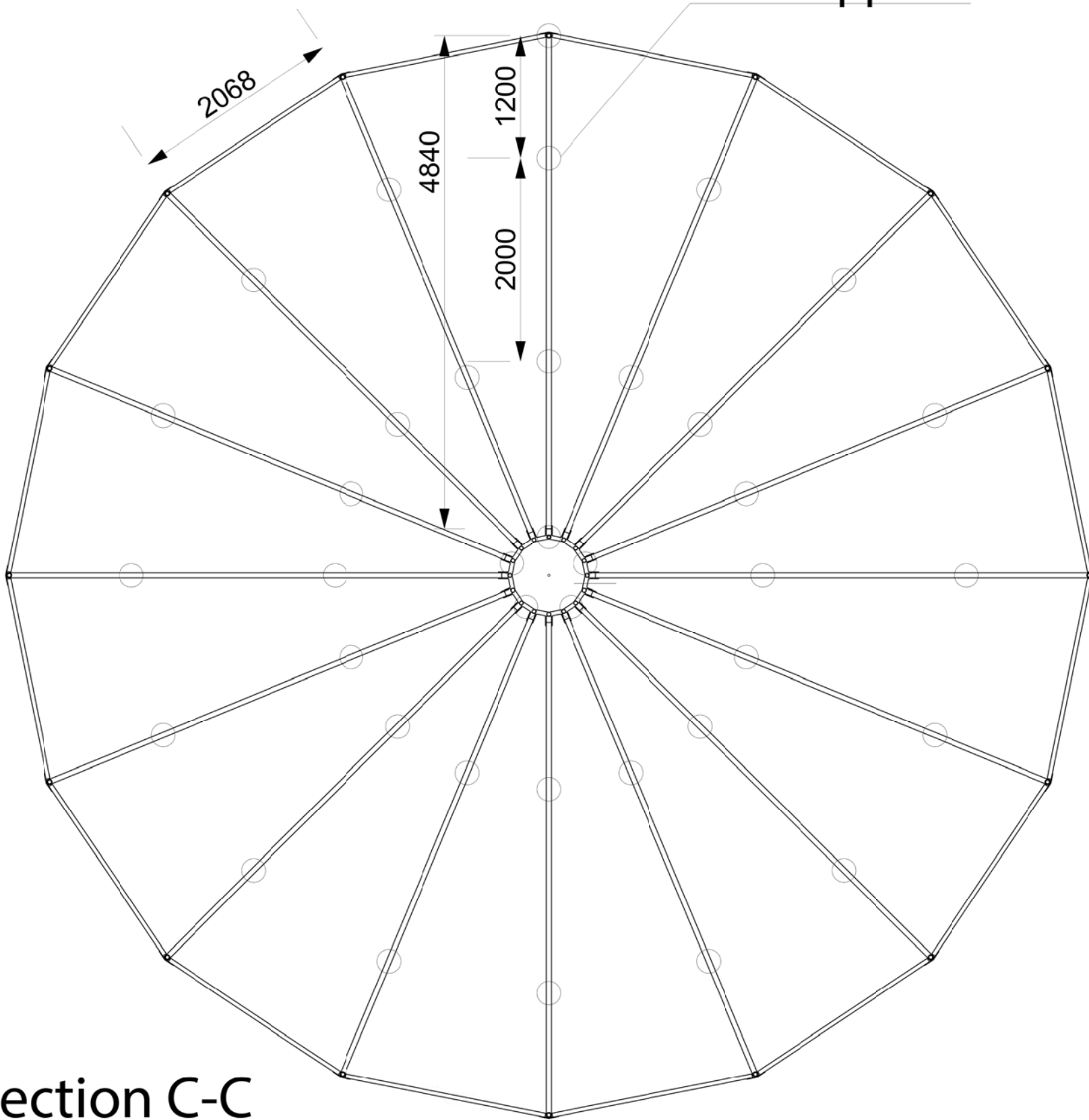
1:100

30/10/2019



floorpanel 30mm. pinewood

53x supports



Section C-C

see static calculation for ground pressure



Renaissance

floor supports

A3

1:50

30/10/2019